

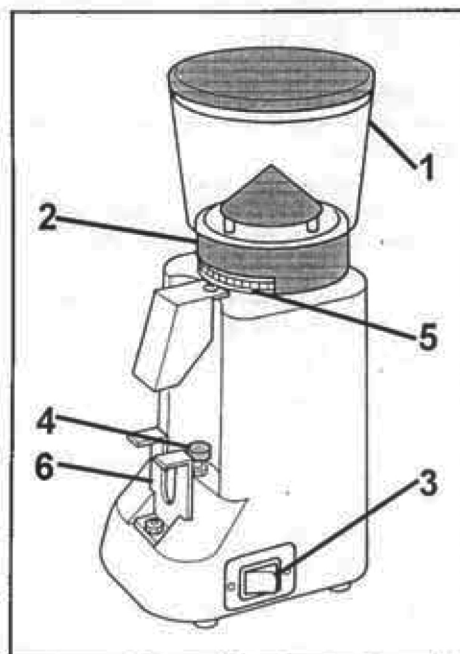
ANFIM

ANFIM sas
Via B. Verro, 33/5
20141 - MILANO
Tel. (+39) 02/8465054
Fax. (+39) 02/8464401

INSTRUCTION MANUAL

COFFEE GRINDER

Mod: H - SELF



1. General instructions

Read this instruction booklet carefully before using the coffee grinder. The installation of the coffee grinder must be done by qualified personnel. The firm cannot be held responsible for changes made by the user to the appliance and for accidental damages arising from installations and / or utilizations different from those mentioned in this instructions.

The producer reserves the right to change without notice the characteristics of the equipment presented in this instructions.

Disposal Procedure - This device, like all electrical products, must be disposed of separately from municipal sorted waste, at specific collection points designated by the local council.



1.1 Appropriate use

The coffee grinder has been studied and constructed to grind coffee.

1.2 Improper use



Any kind of use apart from what has been indicated in paragraph 1.1 is improper and therefore unauthorized; the producer refuses all responsibility for damages arising from improper use of the coffee grinder described in this instruction booklet.

1.3 Safety standards

Do not use the coffee grinder without fixing the coffee beans container to the frame.

Always unplug the coffee grinder before cleaning.

Do not insert fingers or other objects in the entry hole of the blades or in the outlet of the ground coffee.

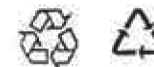
-  Do never immerse the coffee grinder in water and/or other liquids.
-  Do not allow children and/or other unauthorized personnel to use the coffee grinder.

2. Transport

2.1 Packaging

The coffee grinder is supplied in a special card-board package; each package contains:

- coffee grinder
- instruction booklet
- evidence of conformity



3. Description of the appliance

3.1 Description of the appliance

The coffee grinder has been realized considering the actual requirements of a modern and articulated way of working in the coffee shop; concerning this, it has been conceived to obtain a correct grinding of the coffee beans and an appropriate dosing.

Description:

Varnished alluminium bearing structure.

Hardened steel blades unit.

Plastic hopper fit for contact with food.

Outlet spout in stainless steel.

Power supply in conformity with the 73/23/EEC Directives.

- 1 - Coffee beans hopper.
- 2 - Millstone adjustment ring nut unlocking pivot.
- 3 - Illuminated main switch ON / OFF.
- 4 - ON / OFF pushbutton.
- 5 - Blade adjusting ring.
- 6 - Filter support fork.
- 7 - Rating plate.

3.4 Table of specifications:

| | | | | | |
|---------|--------|-----------------|----------|---------|------|
| Height: | 380 mm | Power: | 100W | Weight: | 6 Kg |
| Width: | 145 mm | Noise level: | <60dB(A) | | |
| Depth: | 240 mm | Blade diameter: | 50 mm | | |

4. Installation of the appliance

4.1 Installation of the appliance

The coffee grinder must be placed on a flat, steady, and dry surface.

4.2 Connecting the appliance to the mains

Before connecting the device, make sure that the voltage on the rating plate corresponds with the voltage of your electric installation.

⚠ WARNING: The electric installation to which the coffee grinder will be connected must be in compliance with the law in force: the producer refuses all responsibility for damages to persons and things arising from the connection of the coffee grinder to an electric installation not in compliance with the standards.

5. Using the appliance

5.1 Instructions for use

A) Fill the hopper with fresh coffee beans.

B) Turn the general ON/OFF switch on (3); it will light up signalling the presence of the main voltage.

C) Grind a small quantity of coffee so as to reach the best granularity.

When the filter support cuff of the coffee machine is inserted into the filter support fork (6) the pressure switch is activated automatically (4).

When the coffee machine filter is full of ground coffee (about 8 seconds for the small one coffee filter and about 15 seconds for the small two coffee filter), remove the filter support cuff and the coffee grinder stops automatically.

The adjustment of the blades is set at the factory, anyway you can obtain the grind at the granularity required in the following way:

1) Loosen the numbered ring (5) by pushing the black pin (2) placed on the left side of the appliance.

2) Turn the adjustment ring (5) clockwise to have a finer grain, turn counterclockwise to have a coarser one.

Remember that the best granularity of the grind depends on the kind of coffee and equipment as well as on the weather; if the air is dry, adjust a finer grinding while if it is damp, a coarser one.

3) Release the stop pin (2).

D) Always switch off the main luminous ON/OFF switch (3) when the coffee grinder is not being used.

5.2 Instructions for Emergency Stop

In case of emergency, if you press the ON/OFF switch (3), the coffee grinder stops immediately.

6. Maintenance

6.1 Safety standards



WARNING: Disconnect the coffee grinder from the mains before performing any maintenance operation.

Do not insert fingers or other objects in the entry hole of the blades or in the outlet of the ground coffee.

Do not put already ground coffee in the hopper.

Do not immerse the coffee grinder in water and/or other liquids (solvents, detergents, and so on).

In any case, always refer to the customer Authorised Service Center.

6.2 Appliance cleaning



WARNING: Disconnect the coffee grinder from the mains before cleaning. Do never immerse the coffee grinder in water and/or other liquids.

A constant and regular cleaning prevents the grease settlements contained in coffee to go rancid, causing alterations in the smell and the taste of your espresso.

Cleaning instructions:

- 1) Disconnect the coffee grinder from the mains.
- 2) Clean the (empty) hopper internally and externally with a damp cloth.
- 3) Wipe it with a soft and clean cloth.
- 4) Clean the inner part of the outlet spout in stainless steel, with a brush.
- 5) Clean the body of the coffee grinder with a slightly damp and soft cloth and wipe it with a clean and dry cloth.
- 6) Connect the coffee grinder to the mains.

7. Servicing

Any technical intervention (including the possible millstone replacement: they should be replaced after milling about 400 kg coffee) shall be carried out by skilled personnel. In case of any repair, please address to an Authorised Technical Service Center only.

Model... H S



**EUROESPRESSO
MACHINE CO. PTY LTD.**

165 Parramatta Rd Annandale NSW 2038 Australia
02 9560 7000 email shop@euroespresso.com.au